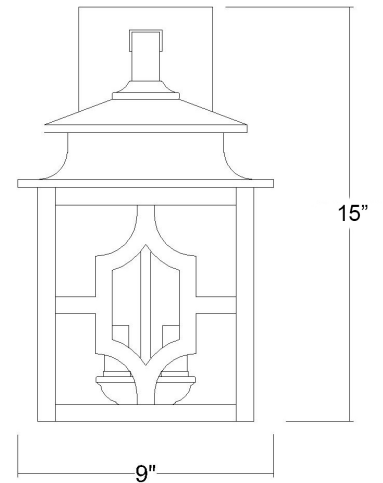
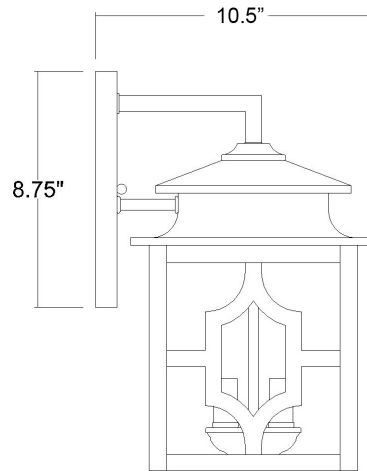


# 1762ORB

## CALVERT 3-LIGHT WALL LANTERN



<b>Description:</b>	Calvert 3-Light Wall Lantern
<b>Finish:</b>	Oil Rubbed Bronze
<b>Dimensions:</b>	9" W x 15" H x 10-1/2" ext. Height on Center: 4-1/2"
<b>Bulbs:</b>	3-60W Cand.
<b>Installed Weight:</b>	8 lbs.
<b>Certification:</b>	cETL / wet location

<b>Material:</b>	Steel and glass
<b>Shades:</b>	NA
<b>Glass:</b>	Clear Seeded
<b>Back Plate Dimensions:</b>	4-3/4" x 8-3/4"
<b>Chain/Wire:</b>	NA
<b>Additional Finishes:</b>	NA